

Spec Sheet

Genuine Comfort 42" 2026 Elite Series

FEATURES:

- Digital Controls
- High Efficiency - EER up to 13.1
- Slide-Out Washable & Easy-Clean Filter
- DC Indoor Motor - Two Fan Speed
- Dual Motors for Quiet & Efficient Operation
- Error Code Display for Easy Diagnostic
- Handheld Remote Control (Not Included)
- 24 Volt Wall Thermostat Control Option
- Compressor Time Delay Protection and Efficiency
- Automated Room Freeze Protection (0°C/32°F)
- Dry mode (dehumidification)
- R32 Refrigerant
- Low Ambient Heat Pump to -5°C
- Gold Fin indoor and outdoor coils (Corrosion Protection for Heat Pump Units)
- Genuine Care Warranty:
1 Year Unit Replacement (if parts and labor is not available), 6-Year Parts Replacement

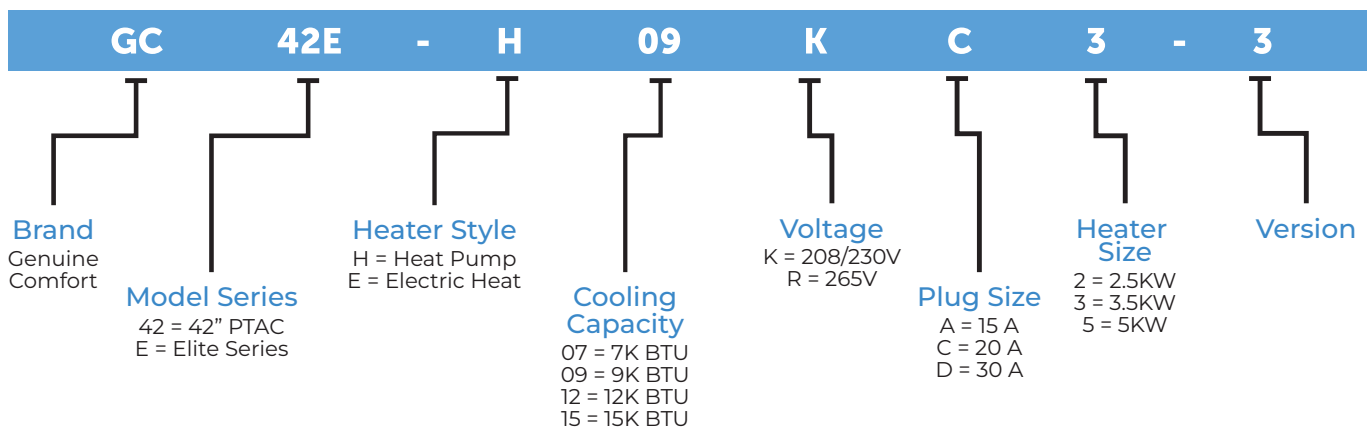


*Heat Pump Models Only



MODEL IDENTIFICATION

Example: GC42E-H09KC3-3



ACCESSORIES



HAND HELD
REMOTE CONTROLLER



WALL SLEEVE



STAMPED GRILLE



ARCHITECTURAL
GRILLE



WIRELESS + WIRED
THERMOSTAT



OCCUPANCY
SENSOR THERMOSTAT



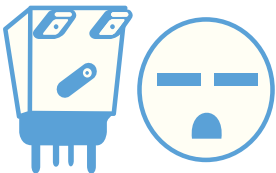
EMS THERMOSTAT



SUB-BASE

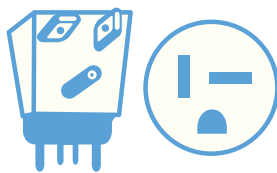
PLUG TYPES

TANDEM



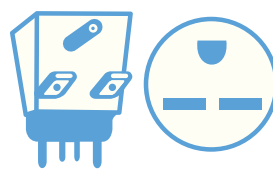
LCDI (NEMA 6-15P)
208V/230V 15A

PERPENDICULAR



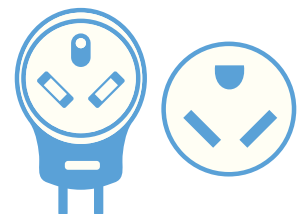
LCDI (NEMA 6-20P)
208V/230V 20A

LARGE TANDEM



LCDI (NEMA 6-30P)
208V/230V 30A

ANGLED



NEMA 7-20R
265V 20A

GENUINE COMFORT 42" 2026 ELITE SERIES – SPECIFICATIONS

Elite Electric Heat Models

Model ID	Description	Model Type	Voltage	BTU	Amperage	EER	Cooling Capacity (BTU/h)	Heat Pump Heating Capacity (BTU/h)	Electric Heater Size (kW)	Electric Heat Capacity (BTU/h)	Power Cord Type	Power Cord Length (ft)	Refrigerant
GC42P-E07KA2-3	Elite 42" PTAC Electric Heat 7,000 BTU, 2.5KW, 15A, 208/230V, R32	Electric Heat	208/230V	7,000	15	13.1	7,200/7,300	N/A	2.5	6,300/7,800	LCDI-15A	6.89	R32
GC42P-E07KC3-3	Elite 42" PTAC Electric Heat 7,000 BTU, 3.5KW, 20A, 208/230V, R32	Electric Heat	208/230V	7,000	20	13.1	7,200/7,300	N/A	3.5	8,900/10,900	LCDI-20A	6.89	R32
GC42P-E09KA2-3	Elite 42" PTAC Electric Heat 9,000 BTU, 2.5KW, 15A, 208/230V, R32	Electric Heat	208/230V	9,000	15	12.8	8,700/8,800	N/A	2.5	6,300/7,800	LCDI-15A	6.89	R32
GC42P-E09KC3-3	Elite 42" PTAC Electric Heat 9,000 BTU, 3.5KW, 20A, 208/230V, R32	Electric Heat	208/230V	9,000	20	12.8	8,700/8,800	N/A	3.5	8,900/10,900	LCDI-20A	6.89	R32
GC42P-E12KC3-3	Elite 42" PTAC Electric Heat 12,000 BTU, 3.5KW, 20A, 208/230V, R32	Electric Heat	208/230V	12,000	20	11.6	11,800/12,000	N/A	3.5	8,900/10,900	LCDI-20A	6.89	R32
GC42P-E12KD5-3	Elite 42" PTAC Electric Heat 12,000 BTU, 5KW, 30A, 208/230V, R32	Electric Heat	208/230V	12,000	30	11.6	11,800/12,000	N/A	5	12,200/15,000	LCDI-30A	7	R32
GC42P-E15KC3-3	Elite 42" PTAC Electric Heat 15,000 BTU, 3.5KW, 20A, 208/230V, R32	Electric Heat	208/230V	15,000	20	10.6	14,500/14,700	N/A	3.5	8,900/10,900	LCDI-20A	6.89	R32
GC42P-E15KD5-3	Elite 42" PTAC Electric Heat 15,000 BTU, 5KW, 30A, 208/230V, R32	Electric Heat	208/230V	15,000	30	10.6	14,500/14,700	N/A	5	12,200/15,000	LCDI-30A	7	R32

Elite Heat Pump Models

Model ID	Description	Model Type	Voltage	BTU	Amperage	EER	Cooling Capacity (BTU/h)	Heat Pump Heating Capacity (BTU/h)	Electric Heater Size (kW)	Electric Heat Capacity (BTU/h)	Power Cord Type	Power Cord Length (ft)	Refrigerant
GC42E-H07KA2-3	Elite 42" PTAC Heat Pump 7,000 BTU, 2.5KW, 15A, 208/230V, R32	Heat Pump	208/230V	7,000	15	13.1	7,100/7,200	6,200/6,300	2.5	6,300/7,800	LCDI-15A	6.89	R32
GC42E-H07KC3-3	Elite 42" PTAC Heat Pump 7,000 BTU, 3.5KW, 20A, 208/230V, R32	Heat Pump	208/230V	7,000	20	13.1	7,100/7,200	6,200/6,300	3.5	8,900/10,900	LCDI-20A	6.89	R32
GC42E-H09KA2-3	Elite 42" PTAC Heat Pump 9,000 BTU, 2.5KW, 15A, 208/230V, R32	Heat Pump	208/230V	9,000	15	12.8	9,100/9,200	7,500/7,800	2.5	6,300/7,800	LCDI-15A	6.89	R32
GC42E-H09KC3-3	Elite 42" PTAC Heat Pump 9,000 BTU, 3.5KW, 20A, 208/230V, R32	Heat Pump	208/230V	9,000	20	12.8	9,100/9,200	7,500/7,800	3.5	8,900/10,900	LCDI-20A	6.89	R32
GC42E-H12KC3-3	Elite 42" PTAC Heat Pump 12,000 BTU, 3.5KW, 20A, 208/230V, R32	Heat Pump	208/230V	12,000	20	11.6	11,800/12,000	10,500/10,800	3.5	8,900/10,900	LCDI-20A	6.89	R32
GC42E-H12KD5-3	Elite 42" PTAC Heat Pump 12,000 BTU, 5KW, 30A, 208/230V, R32	Heat Pump	208/230V	12,000	30	11.6	11,800/12,000	10,500/10,800	5	12,200/15,000	LCDI-30A	7	R32
GC42E-H15KC3-3	Elite 42" PTAC Heat Pump 15,000 BTU, 3.5KW, 20A, 208/230V, R32	Heat Pump	208/230V	15,000	20	10.6	14,500/14,700	13,200/13,500	3.5	8,900/10,900	LCDI-20A	6.89	R32
GC42E-H15KD5-3	Elite 42" PTAC Heat Pump 15,000 BTU, 5KW, 30A, 208/230V, R32	Heat Pump	208/230V	15,000	30	10.6	14,500/14,700	13,200/13,500	5	12,200/15,000	LCDI-30A	7	R32
GC42E-H07RC3-3	Elite 42" PTAC Heat Pump 7,000 BTU, 3.5KW, 20A, 265V, R32	Heat Pump	265V	7,000	20	11.9	7,200	6,000	3.5	10,900	LCDI-20A	6.89	R32
GC42E-H09RC3-3	Elite 42" PTAC Heat Pump 9,000 BTU, 3.5KW, 20A, 265V, R32	Heat Pump	265V	9,000	20	11.3	9,000	8,000	3.5	10,900	LCDI-20A	6.89	R32
GC42E-H12RC3-3	Elite 42" PTAC Heat Pump 12,000 BTU, 3.5KW, 20A, 265V, R32	Heat Pump	265V	12,000	20	10.5	12,000	10,800	3.5	10,900	LCDI-20A	6.89	R32
GC42E-H15RC3-3	Elite 42" PTAC Heat Pump 15,000 BTU, 3.5KW, 20A, 265V, R32	Heat Pump	265V	15,000	20	9.6	14,700	13,300	3.5	10,900	LCDI-20A	6.89	R32

Manufacturer reserves the right to change specifications without notice. Warranty limited to Canada and USA.